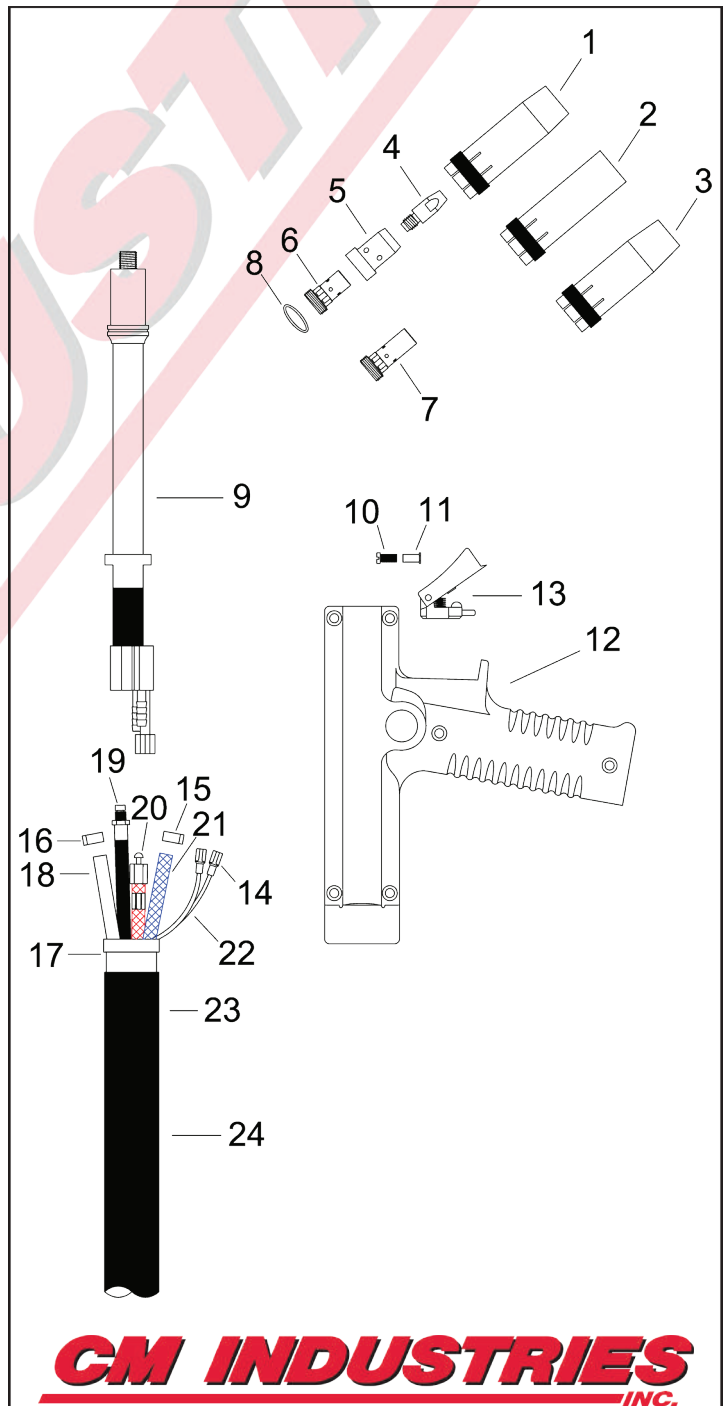


# BNZ 501PG WATER-COOLED MIG GUN

Replacement Suitable for ESAB® ST-21

RATING	GUN ORDERING PART NUMBER	POWER PIN Direct Connect
<b>500 AMP CO2</b> <b>@ 60% Duty Cycle</b>	703-52-0xx	Euro
<b>400 Amp Mixed Gas</b> <b>@ 60% Duty Cycle</b>	703-52-Lxx	Lincoln® "LN"
<b>Wire Capacity:</b> <b>0.035" (0.8mm) -</b> <b>3/32" (2.4mm)</b>	703-52-Mxx	Miller®
xx = Standard lengths of 10, 12, 15, 20, and 25 ft. Custom lengths also available.		

#	Part Number	Description
1.	165-52-001 165-52-305	Nozzle, Conical, 5/8" I.D., Std. Nozzle, Conical Heavy Duty, 5/8" I.D.
2.	165-52-002	Nozzle, Cylindrical, 3/4" I.D.
3.	165-52-011 165-52-111	Nozzle, Conical Small, 9/16" I.D. Nozzle, Conical Super Small, 7/16" I.D.
4.	150-09-130 150-10-130 150-12-130SH 150-14-130SH 150-16-130SH 150-20-130SH 150-24-130SH	Contact Tip, M8, .035" 0.9mm Contact Tip, M8, .040" 1.0mm Contact Tip, M8, .045" 1.2mm Contact Tip, M8, .052" 1.4mm Contact Tip, M8, 1/16" 1.6mm Contact Tip, M8, 5/64" 2.0mm Contact Tip, M8, 3/32" 2.4mm
5.	046-52-002 046-52-003	Insulator/Gas Diffuser, Std. Insulator/Gas Diffuser, High Temp.
6.	160-08-402 160-06-402	Contact Tip Holder, M8, Std. Contact Tip Holder, M6
7.	160-08-404 160-06-404	Contact Tip Holder, Long, M8, Flush Contact Tip Holder, Long, M6, Flush
8.	064-52-002	Insulating Washer
9.	051-52-380	Swan Neck, 180°
10.	170-66-005	Handle Screw
11.	170-66-009	Handle Post
12.	170-66-404	Handle w/ Screws & Posts
13.	170-14-100	Trigger Switch
14.	300-05-003	Trigger Wire Connector, Small
15.	350-61-095	Hose Clamp w/ Bridge, 9.5mm
16.	350-60-087	Hose Clamp, 8.7mm
17.	260-52-001	Cable Support



**CM INDUSTRIES**  
INC.

#	Part Number	Description
<b>Items 18-24 are available in lengths 10, 12, 15, 20, and 25 feet</b>		
18.	310-55-0__	Gas Hose
19.	235-52-0__	Wire Conduit
20.	225-52-0__	Power Cable
21.	310-52-0__	Water Hose, IN, Blue
22.	300-05-0__	Trigger Wire
23.	216-52-0__	Outer Cable Cover
24.	215-52-0__	Cable Assembly (Includes Items 18-23)
25.	185-52-001	Cable Support Spring
26.	260-52-202	Adaptor Support
27.	285-01-001	Adaptor Support Screw
28.	310-53-002	Water Hose, OUT, Red, 2'
29.	300-05-010	Male Electrical Connector
30.	401-00-001	Adaptor Nut
31.	300-05-009	Female Electrical Connector
32.	401-02-052	Adaptor Block, Euro
33.	285-00-002	O-Ring, Adaptor Block
34.	285-03-002	Male Pin w/ Lead
35.	350-52-001	Male Water Fitting
36.	350-65-002	Female Quick Disconnect
37.	350-60-095	Hose Clamp, 9.5mm
38.	300-05-001	Electrical Plug, Miller
39.	300-05-002	Electrical Plug, Lincoln
40.	401-02-054	Connector Plug, Miller
41.	C224	O-Ring, Miller
42.	401-01-002	Liner Nut, Miller
43.	401-02-056	Connector Plug, Lincoln
44.	401-01-004	Liner Retainer
45.	401-01-001	Liner Retaining Nut
46.	241-02-016	Liner #2, 15' .035"-.045"
	241-03-016	Liner #3, 15' .052"-1/16"
	241-04-016	Liner #4, 15' 5/64"-3/32"
47.	255-10-010	Teflon Liner #10, 10' .035"-.045"
	255-10-012	Teflon Liner #10, 12' .035"-.045"
	255-10-015	Teflon Liner #10, 15' .035"-.045"
	255-05-010	Teflon Liner #5, 10' .045"-1/16"
	255-05-012	Teflon Liner #5, 12' .045"-1/16"
	255-05-015	Teflon Liner #5, 15' .045"-1/16"
48.	258-05-010	P.A. Liner #5, 10' .045"-1/16"
	258-05-012	P.A. Liner #5, 12' .045"-1/16"
	258-05-015	P.A. Liner #5, 15' .045"-1/16"
	258-05-000	P.A. Liner #5, Bulk Length .045"-1/16"
49.	259-05-001	Repl. Collet, Teflon Liner #5
	259-10-001	Repl. Collet, Teflon Liner #10 & #18
50.	285-00-003	Repl. O-Ring

