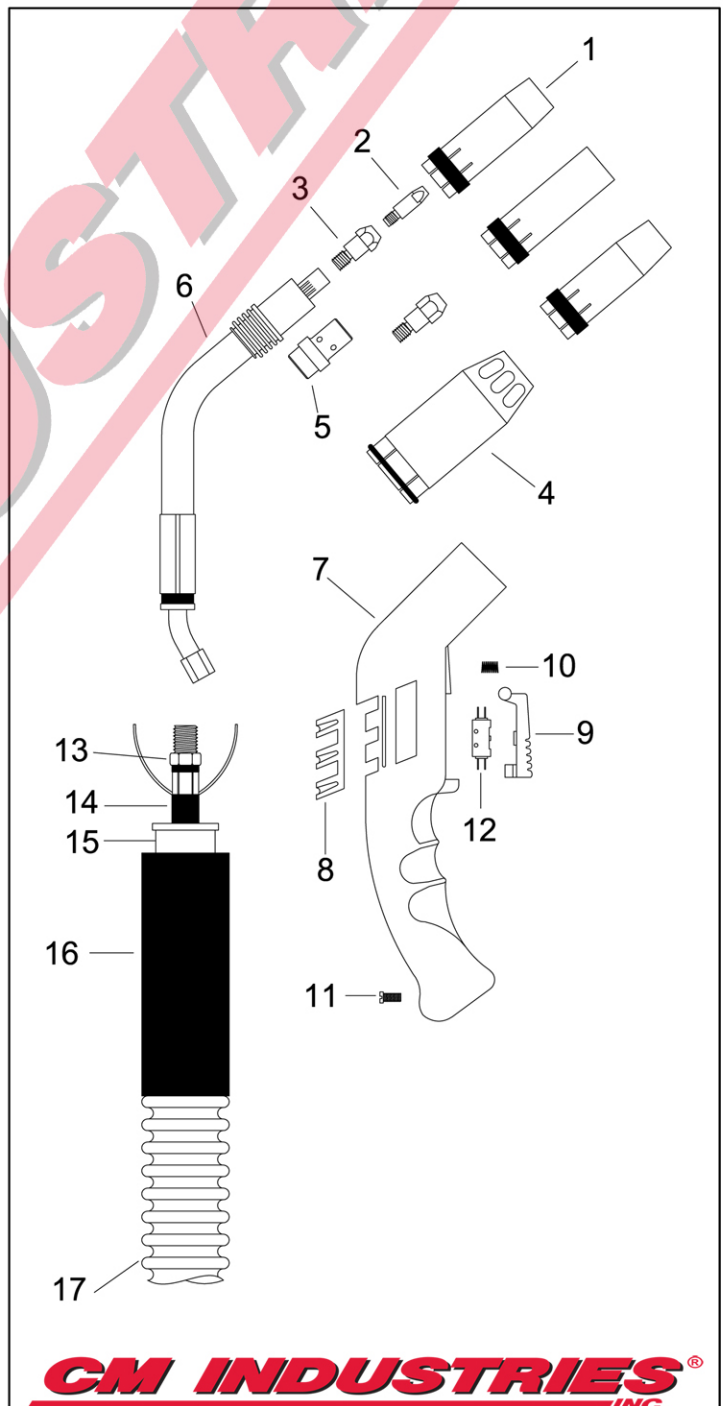


SM36A

SMOKE EXTRACTOR AIR-COOLED MIG GUN

RATING	GUN ORDERING PART NUMBER	GUN PLUG Direct Connect
360 Amp CO2 @ 60% Duty Cycle 320 Amp Mixed Gas @ 60% Duty Cycle Wire Capacity: 0.030" (0.8mm) - 0.062" (1.6mm)	725-36-0xx	Euro
	725-36-Lxx	Lincoln® "LN"
	725-36-Mxx	Miller®
	725-36-Txx	Tweco®
xx = Standard lengths of 10, 12, 15, 20 and 25 ft. Custom lengths also available.		

#	Part Number	Description
1.	165-36-001 165-36-002 165-36-011	Nozzle, Conical, 5/8" I.D., Std. Nozzle, Cylindrical, 3/4" I.D. Nozzle, Conical Small, 9/16" I.D.
2.	150-08-120 150-09-120 150-10-120 150-12-120 150-14-120 150-16-120	Contact Tip, M6, .030" 0.8mm Contact Tip, M6, .035" 0.9mm, Std. Contact Tip, M6, .040" 1.0mm Contact Tip, M6, .045" 1.2mm Contact Tip, M6, .052" 1.4mm Contact Tip, M6, 1/16" 1.6mm
3.	160-06-036 160-06-136	Contact Tip Holder, M6 Contact Tip Holder, Long, M6
4.	165-36-400	Fume Nozzle
5.	046-36-001 046-36-002	Insulator/Gas Diffuser, White, Std. Insulator/Gas Diffuser, Heat Resistant Black
6.	052-36-045	Swan Neck
7.	171-66-101	Handle Assembly (Items 7-11)
8.	171-66-105	Fume Controller
9.	171-66-109	Trigger
10.	171-66-129	Trigger Spring
11.	170-66-005	Handle Screw
12.	171-66-123	Micro Switch
13.	290-01-010	Hex Nut
14.	210-36-510 210-36-512 210-36-515 210-36-520 210-36-525	Power Cable, 10' Power Cable, 12' Power Cable, 15' Power Cable, 20' Power Cable, 25'
15.	261-25-005	Front Connector
16.	216-55-005	Leather Hose, 4'
17.	219-25-010 219-25-012 219-25-015 219-25-020 219-25-025	Flex Hose, 10' Flex Hose, 12' Flex Hose, 15' Flex Hose, 20' Flex Hose, 25'



CM INDUSTRIES
INC.

#	Part Number	Description
18.	261-25-004	Hose Clamp
19.	261-25-003	Rear Aluminum Connector
20.	261-25-002	Adaptor Support
21.	401-00-001	Adaptor Nut
22.	300-05-010 300-05-009	Male Electrical Connector Female Electrical Connector
23.	401-02-014	Connector Block, Complete
24.	285-03-002	Male Pin w/ Lead
25.	285-00-002	O-Ring, Connector Block
26.	401-01-001	Liner Retaining Nut
27.	401-02-012	Connector Plug Block
28.	401-02-016	Connector Plug, Hobart/Tweco/Lincoln P.M.
29.	C224	O-Ring
30.	401-01-004	Liner Retaining Plug
31.	401-02-017	Connector Plug, Miller
32.	M079-974	O-Ring, Miller
33.	401-01-002	Liner Nut, Miller
34.	401-02-015	Connector Plug, Lincoln
35.	300-05-001	Electrical Plug, Miller
36.	300-05-002	Electrical Plug, Lincoln
37.	241-26-016 241-22-016 241-23-016	Liner #26, 15', .023"-.035" Liner #22, 15', .035"-.045", Std. Liner #23, 15', .052"-1/16"
	241-26-027 241-22-027 241-23-027	Liner #26, 25', .023"-.035" Liner #22, 25', .035"-.045" Liner #23, 25', .052"-1/16"
38.	255-18-010 255-18-012 255-18-015 255-18-020	Teflon Liner #18, 10', .023"-.035" Teflon Liner #18, 12', .023"-.035" Teflon Liner #18, 15', .023"-.035" Teflon Liner #18, 20', .023"-.035"
	255-10-010 255-10-012 255-10-015 255-10-020	Teflon Liner #10, 10', .035"-.045" Teflon Liner #10, 12', .035"-.045" Teflon Liner #10, 15', .035"-.045" Teflon Liner #10, 20', .035"-.045"
	255-05-010 255-05-012 255-05-015 255-05-020	Teflon Liner #5, 10', .045"-1/16" Teflon Liner #5, 12', .045"-1/16" Teflon Liner #5, 15', .045"-1/16" Teflon Liner #5, 20', .045"-1/16"
39.	259-10-001 259-05-001	Repl. Collet, Teflon Liner #10 & #18 Repl. Collet, Teflon Liner #5

