

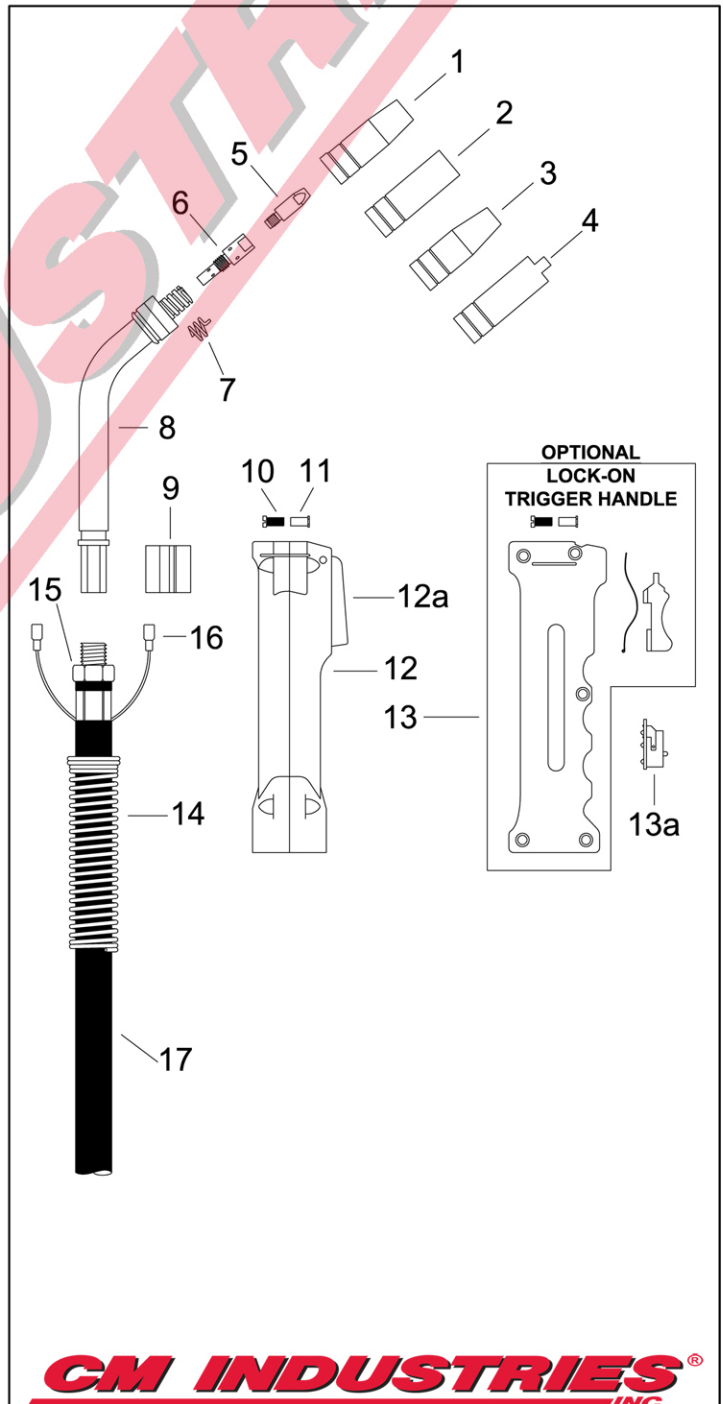
BNZ 25A

AIR-COOLED MIG GUN

Replacement Suitable for Binzel®

RATING	GUN ORDERING PART NUMBER	GUN PLUG Direct Connect
250 Amp CO2 @ 60% Duty Cycle 200 Amp Mixed Gas @ 60% Duty Cycle Wire Capacity: 0.030" (0.8mm) - 0.045" (1.2mm)	700-25-0xx	Euro Century® Lincoln® "LN" Lincoln® W.M./PowerMIG Miller® Tweco® #4
	700-25-Cxx	
	700-25-Lxx	
	700-25-Rxx	
	700-25-Mxx	
700-25-Txx		
xx = Standard lengths of 10, 12, 15, 20 and 25 ft. Custom lengths also available.		

#	Part Number	Description
1.	165-25-001	Nozzle, Conical, 9/16" I.D., Std.
2.	165-25-002	Nozzle, Cylindrical, 11/16" I.D.
3.	165-25-011	Nozzle, Conical Small, 7/16" I.D.
4.	165-25-003	Nozzle, Spot, 11/16"
5.	150-06-120 150-08-120 150-09-120 150-10-120 150-12-120	Contact Tip, M6, .024" 0.6mm Contact Tip, M6, .030" 0.8mm Contact Tip, M6, .035" 0.9mm, Std. Contact Tip, M6, .040" 1.0mm Contact Tip, M6, .045" 1.2mm
6.	160-06-025	Contact Tip Holder, M6, Std.
7.	035-25-002	Nozzle Spring
8.	051-25-050 051-25-001	Swan Neck, 50° Swan Neck, Flexible
9.	047-00-100	Body Insulator
10.	170-66-005	Handle Screw
11.	170-66-009	Handle Post
12.	170-66-002	Handle, Complete w/ Screws & Posts
12a.	170-66-000 185-66-003	Trigger Only Replacement Switch Assembly
13.	170-66-102	Handle Assembly w/ Locking Trigger (Optional)
13a.	185-66-023	Micro Switch for Locking Trigger
14.	185-26-001	Cable Support Spring
15.	290-01-010	Hex Nut
16.	300-05-004	Trigger Wire Connector, Large
17.	210-25-010 210-25-012 210-25-015	Power Cable, 10' Power Cable, 12' Power Cable, 15'



CM INDUSTRIES
INC.

#	Part Number	Description
18.	260-25-002	Adaptor Support
19.	285-01-001	Adaptor Support Screw
20.	300-05-010	Male Electrical Connector
21.	401-00-001	Adaptor Nut
22.	300-05-009	Female Electrical Connector
23.	401-02-014	Connector Block, Complete
24.	285-03-002	Male Pin w/ Lead
25.	285-00-002	O-Ring, Connector Block
26.	401-01-001	Liner Retaining Nut
27.	401-02-012	Connector Plug Block
28.	401-02-016	Connector Plug, Hobart/Tweco/Lincoln P.M.
29.	C224	O-Ring
30.	401-01-004	Liner Retaining Plug
31.	401-02-017	Connector Plug, Miller
32.	M079-974	O-Ring, Miller
33.	401-01-002	Liner Nut, Miller
34.	401-02-015	Connector Plug, Lincoln
35.	300-05-001	Electrical Plug, Miller
36.	300-05-002	Electrical Plug, Lincoln
37.	241-26-016 241-22-016	Liner #26, 15', .023"-.035" Liner #22, 15', .035"-.045", Std.
38.	255-18-010 255-18-010 255-18-010	Teflon Liner #18, 10', .035" Teflon Liner #18, 10', .035" Teflon Liner #18, 10', .035"
	255-10-010 255-10-012 255-10-015	Teflon Liner #10, 10', .035" Teflon Liner #10, 12', .035" Teflon Liner #10, 15', .035"
39.	259-10-001	Repl. Collet, Teflon Liner #10 & #18

